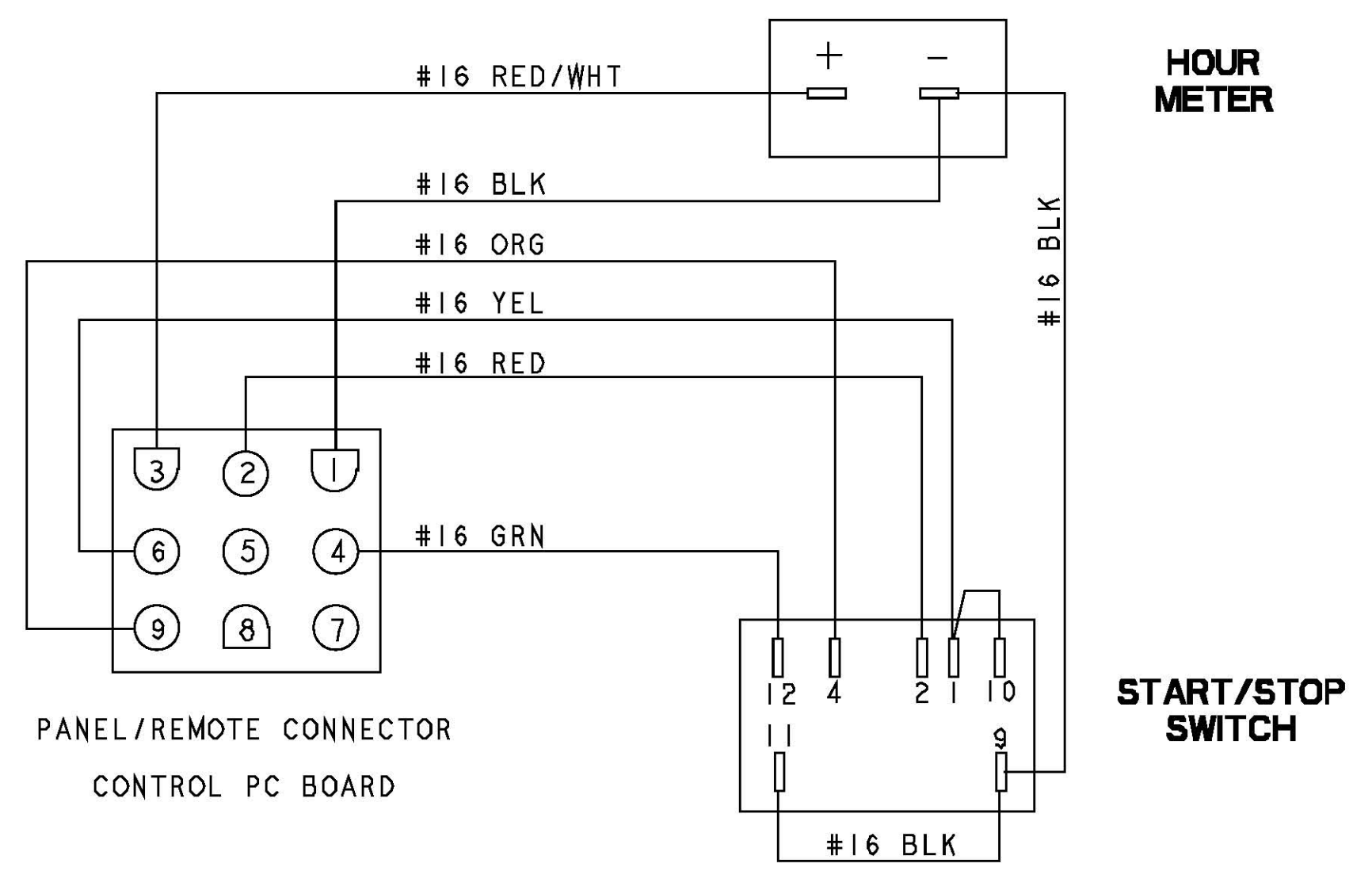
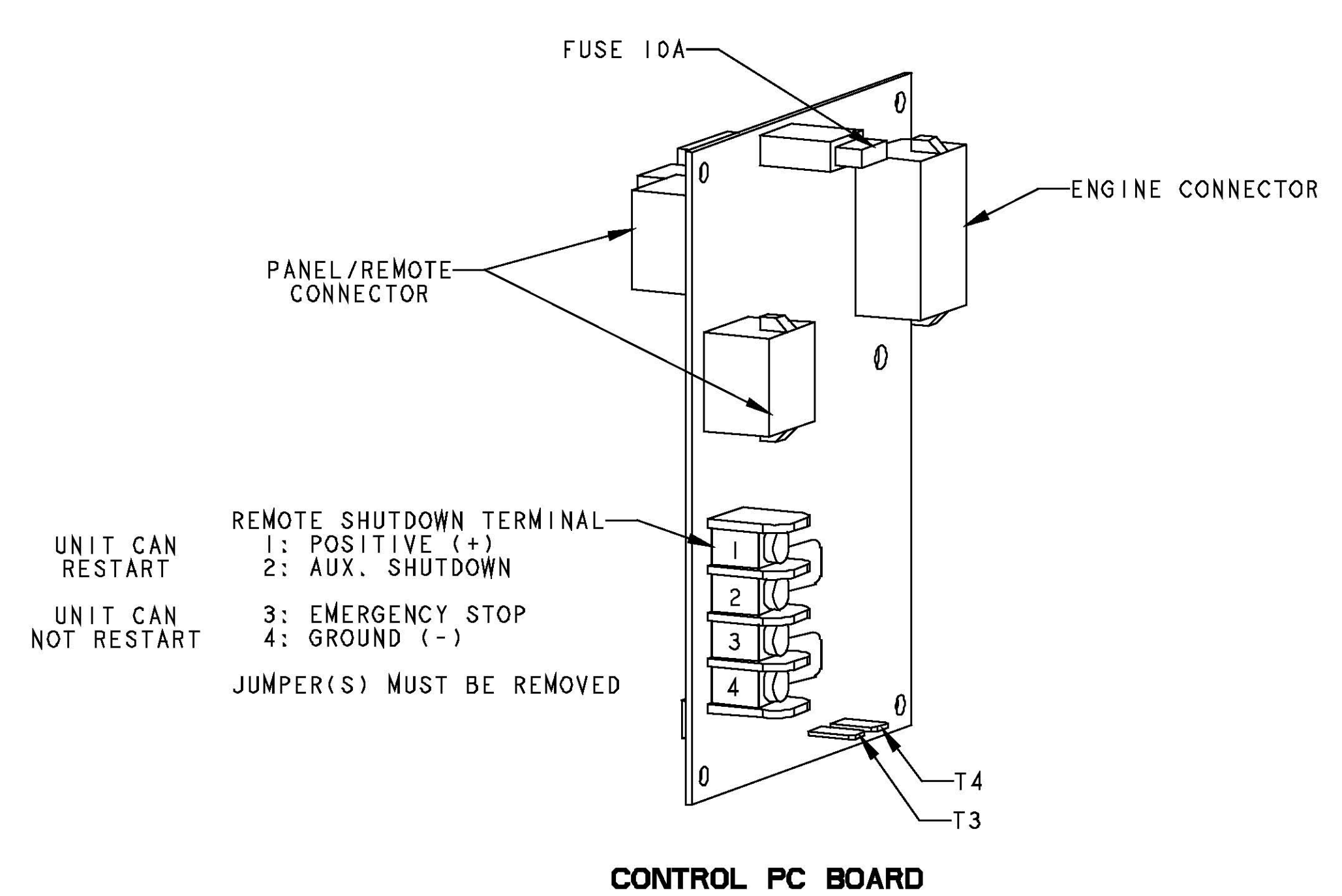
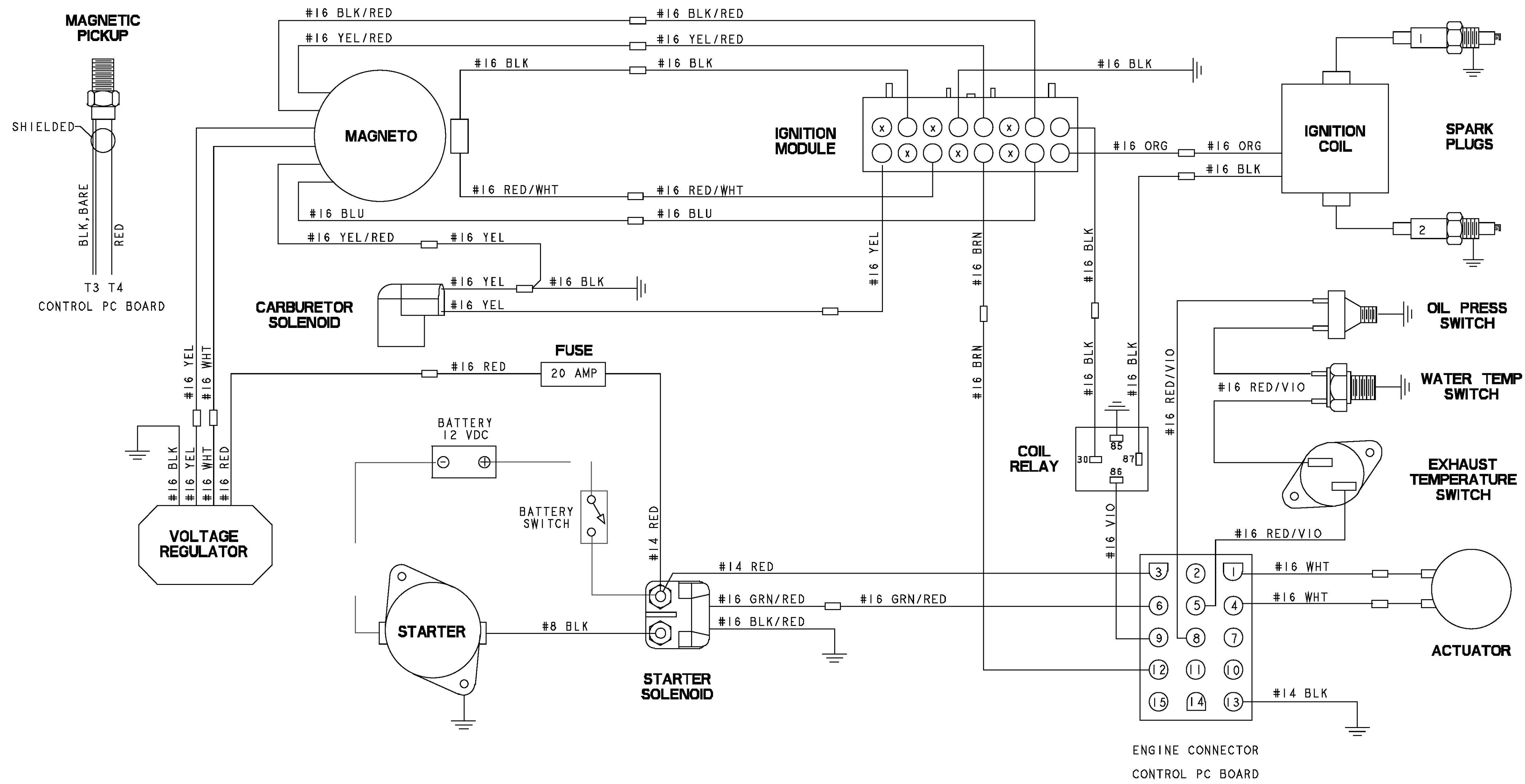


ECO NO	DATE	REV.	REVISION RECORD	AUTH	DR. BY
5467	2/11 2003	A	ADDED COIL RELAY		JCA
5545	7/25 2003	B	ADDED WATER TEMP SWITCH		JCA



TOLERANCES (UNLESS OTHERWISE NOTED)		WESTERBEKE CORPORATION TAUNTON, MA. 02780	
INCHES	MILLIMETERS	TITLE WIRING DIAGRAM 3.0 BPMG	
.XX ± .02	.X ± 1.0	---	
.XXX ± .005	.X ± .5	---	
CAST ± .03	.XX ± .13	---	
ANGLES: 3°		---	
FINISH		---	
DIMENSIONS		DRAWN BY Jeremy Anderson	
INCHES		DATE 12/Sep/02	
MILLIMETERS		APPROVED BY	
(WHEN APPLICABLE)		DATE	
SCALE NONE		MATERIAL:	
SIZE		---	
DRAWING NUMBER		---	
SRT 1 of 1		REV.	
<b>D</b>		<b>46987</b>	
		<b>B</b>	